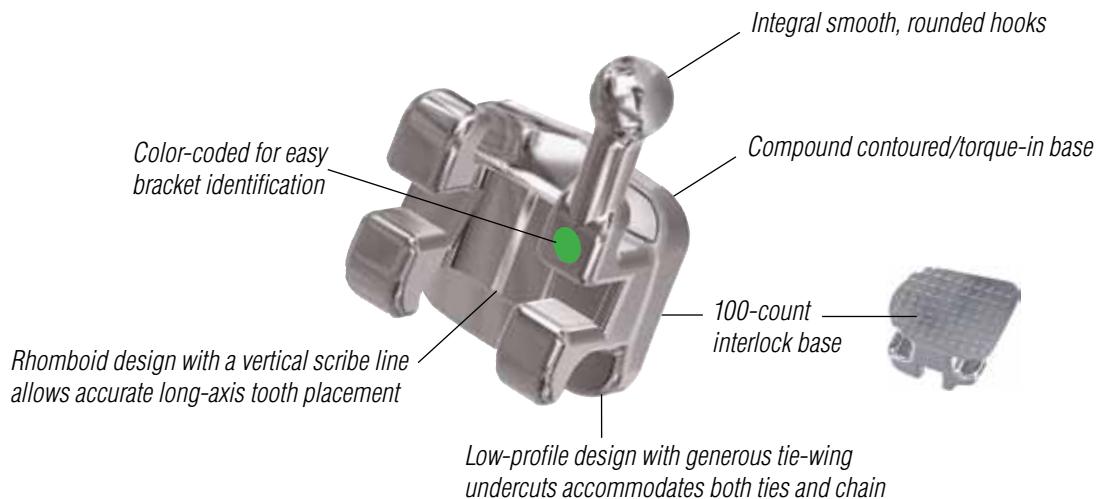


## BravoExcel™ NF

A one-piece bracket with a 100-count interlock base for a stronger bond!

Bravo Excel NF Brackets are manufactured using MIM technology. This process translates into extremely close tolerances, rounded contours, and intricate structures that cannot be duplicated by machined or casted brackets resulting in a strong, high performance, and corrosion resistant orthodontic appliance. The bio-compatible, nickel-free material of these brackets ensures that they are both a safe and effective choice for your patient.

**NICKEL-FREE**



Sets are packaged in single case packs.

Made in the U.S.A.

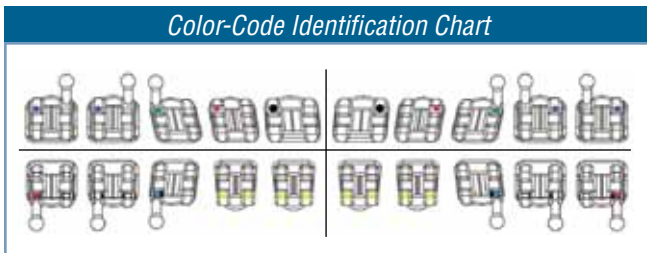
**To order by phone** (in the U.S.)  
Toll-free: 888 851 0533  
Fax: 800 888 7244

**To order by phone** (outside the U.S.)  
Direct: + (1) 215 458 9140  
Fax: + (1) 215 458 9155

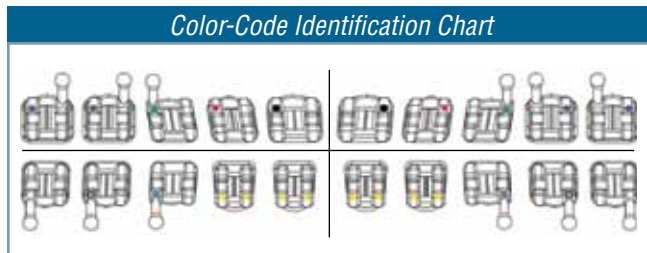
**To order online**  
Email: Sales@Masel.net  
Website: Order.MaselOrtho.com

Visit our Website at [MaselOrtho.com](http://MaselOrtho.com).

Color-Code Identification Chart



Color-Code Identification Chart



BRACKET	DESCRIPTION	COLOR-CODE	TORQUE	ANG.	M/D WIDTH (MM)	SIDE	.018" ITEM NO.	.022" ITEM NO.	
MAXILLARY	Centrals	Diagonal Twin ● Black	+12°	+5°	3.7	R	4494-315	4494-311	
						L	4494-316	4494-312	
	Laterals	Diagonal Twin ● Pink	+8°	+9°	2.9	R	4494-325	4494-321	
						L	4494-326	4494-322	
	Cuspids	Diagonal Twin with Hook	● Green	-2°	+13°	3.0	R	4494-335	4494-331
							L	4494-336	4494-332
		Diagonal Twin without Hook					R	4494-358	4494-356
							L	4494-359	4494-357
	Bicuspids	Twin with Hook	● Purple	-7°	0°	3.0	R	4494-345	4494-341
							L	4494-344	4494-340
Twin without Hook		R					4494-355	4494-351	
		L					4494-354	4494-350	
MANDIBULAR	Anteriors	45° Beveled Twin ● Yellow	1°	0°	2.6	—	4494-305	4494-301	
	Cuspids	Diagonal Twin with Hook	● Blue	-11°	+7°	3.0	R	4494-365	4494-361
							L	4494-366	4494-362
		Diagonal Twin without Hook					R	4494-367	4494-363
							L	4494-368	4494-364
	1st Bicuspids	Twin with Hook	○ White	-17°	0°	3.0	R	4494-377	4494-373
							L	4494-378	4494-374
		Twin without Hook					R	4494-375	4494-371
							L	4494-376	4494-372
	2nd Bicuspids	Twin with Hook	● Red	-22°	0°	3.0	R	4494-387	4494-383
L							4494-388	4494-384	
Twin without Hook		R					4494-385	4494-381	
		L					4494-386	4494-382	

BRACKET	DESCRIPTION	COLOR-CODE	TORQUE	ANG.	M/D WIDTH (MM)	SIDE	.018" ITEM NO.	.022" ITEM NO.	
MAXILLARY	Centrals	Diagonal Twin ● Black	+17°	+4°	3.50	R	4835-415	4835-411	
						L	4835-416	4835-412	
	Laterals	Diagonal Twin ● Red	+8°	+9°	2.92	R	4835-425	4835-421	
						L	4835-426	4835-422	
	Cuspids	Diagonal Twin with Hook	● Green	-7°	+8°	3.20	R	4835-435	4835-431
							L	4835-436	4835-432
		Diagonal Twin without Hook					R	4835-458	4835-456
							L	4835-459	4835-457
	Bicuspids	Twin with Hook	● Purple	-7°	0°	3.04	R	4835-445	4835-441
							L	4835-444	4835-440
Twin without Hook		R					4835-455	4835-451	
		L					4835-454	4835-450	
MANDIBULAR	Anteriors	45° Beveled Twin ● Yellow	-6°	0°	2.66	—	4835-405	4835-401	
	Cuspids	Diagonal Twin with Hook	● Blue	-6°	+3°	3.20	R	4835-465	4835-461
							L	4835-466	4835-462
		Diagonal Twin without Hook					R	4835-467	4835-463
							L	4835-468	4835-464
	1st Bicuspids	Twin with Hook	● Gray	-12°	+2°	2.99	R	4835-477	4835-373
							L	4835-478	4835-474
		Twin without Hook					R	4835-475	4835-471
							L	4835-476	4835-472
	2nd Bicuspids	Twin with Hook	○ White	-17°	+2°	2.99	R	4835-487	4835-483
L							4835-488	4835-484	
Twin without Hook		R					4835-485	4835-481	
		L					4835-486	4835-482	

Single Case Packs

SET-UP	BRACKETS PER CASE	DESCRIPTION	.018" ITEM NO.	.022" ITEM NO.
5-5 5-5	20	with Hooks on 3's, 4's, & 5's	4494-018	4494-022
5-5 5-5	20	with Hooks on 3's	4494-218	4494-222
5-5 5-5	20	without Hooks	4494-118	4494-122

Single Case Packs

SET-UP	BRACKETS PER CASE	DESCRIPTION	.018" ITEM NO.	.022" ITEM NO.
5-5 5-5	20	with Hooks on 3's, 4's, & 5's	4835-918	4835-922
5-5 5-5	20	with Hooks on 3's	4835-928	4835-912
5-5 5-5	20	without Hooks	4835-908	4835-902